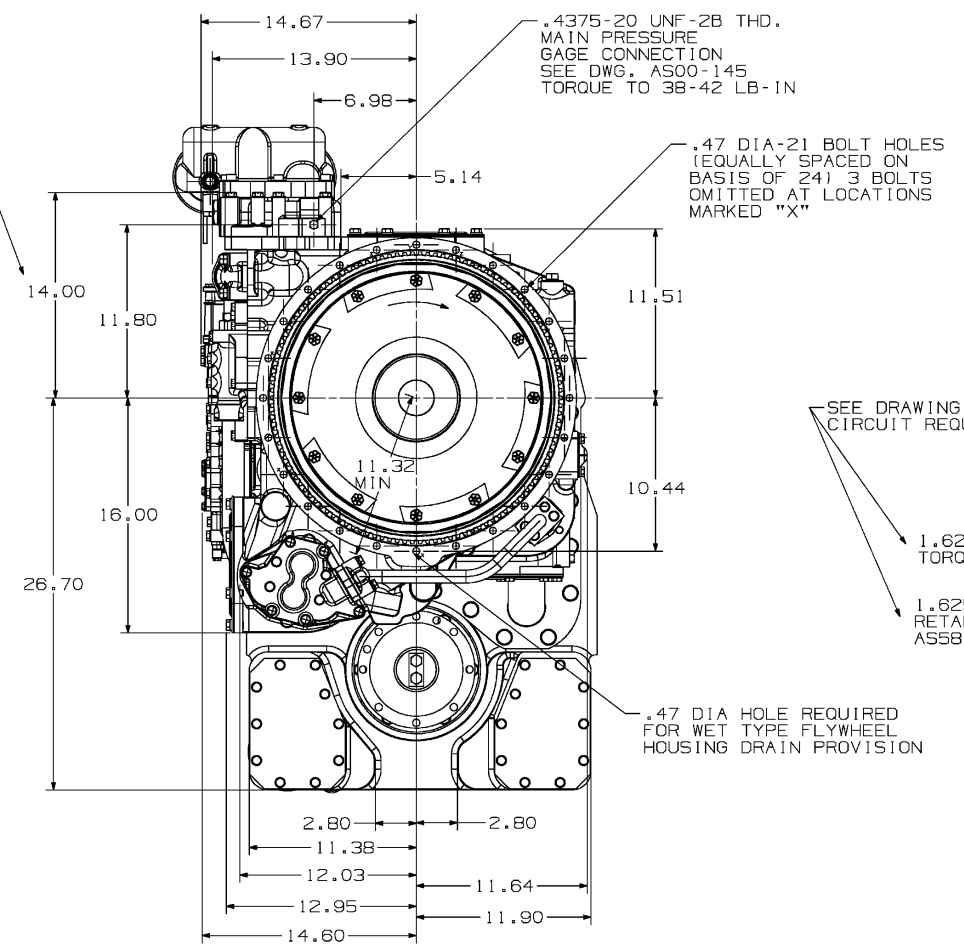


FOR REMOTE FILTER OPTION SEE DWG. AS00-074 AND AS00-161



SEE DRAWING AS58-040 FOR CIRCUIT REQUIREMENTS

1.625-12 UN-2B THD. OIL TO COOLER TORQUE TO 47-53 LB-FT

1.625-12 UN-2B THD. OIL FROM COOLER RETARDER OPTION SEE DRAWING AS58-036, TORQUE TO 47-53 LB-FT

.500-20 UNF-2B THD TRANSMISSION LUBE PRESSURE TAP TORQUE TO 58-63 LB-FT

REQUIRED TO REMOVE INPUT OIL PUMP

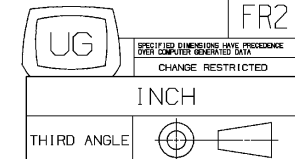
INCREASE TRANSMISSION LENGTH 3.44 WITH TORQUEMATIC RETARDER OPTION. SEE RETARDER OPTION DRAWING AS58-036.

FOR BASIC TRANSMISSION SPECIFICATIONS, SEE SECTION "M" IN OFF-HIGHWAY TECH DATA

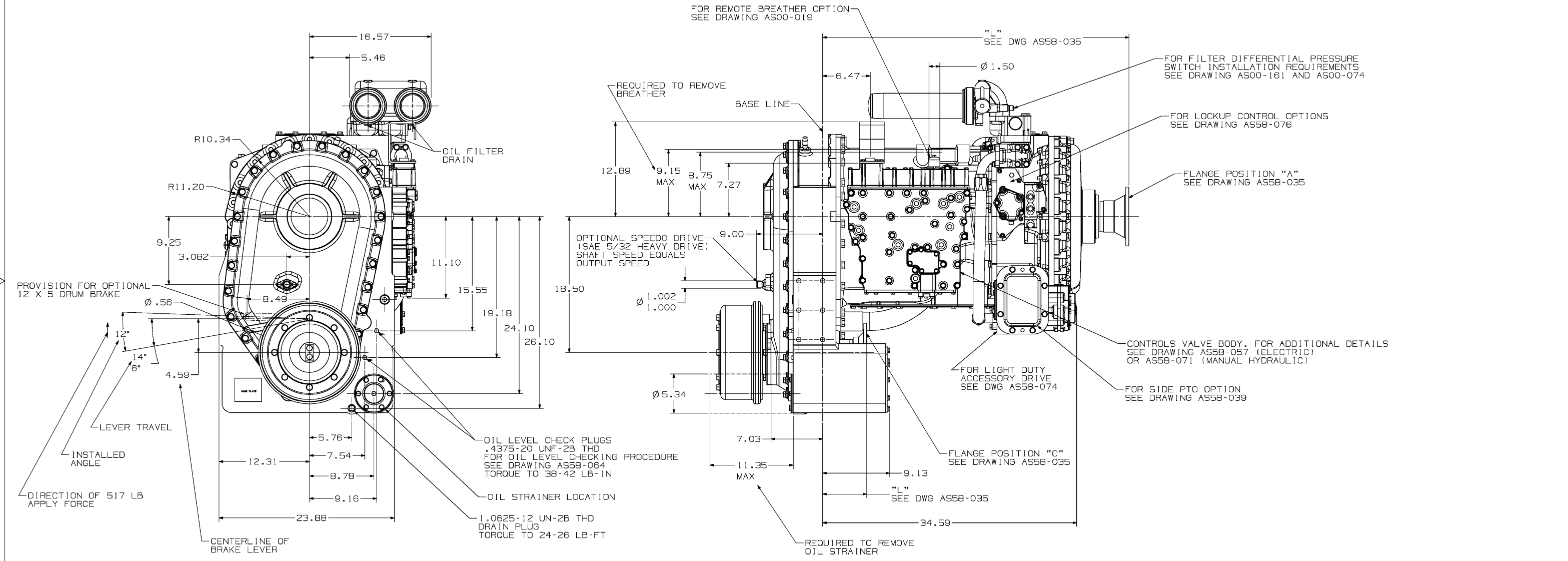
DIRECTIONS OF ROTATION ARE SHOWN FOR CLOCKWISE INPUT ROTATION AT FLANGE POSITION A AND FORWARD GEAR.

ALL TRANSMISSION CONTROL SYSTEM DESIGNS SHOULD BE REVIEWED BY ALLISON TRANSMISSION DIVISION OF GENERAL MOTORS CORPORATION ENGINEERING DEPARTMENT.

FR1 DWG. NO. AS58-031 LTR SH AD 1



AD (1) TURBINE SENSOR ASSY-29543432 WAS TURBINE SENSOR ASSY-29509637	07DEC08	CKL	ML
(2) INPUT SENSOR ASSY-29543432 WAS INPUT SENSOR ASSY-29509637	25AUG00	LTJ	DN
REV	DESCRIPTION	DATE	BY
AC (1) REVISED AND REDRAWN			
REVISIONS			
DRAWN D. HUGHES			
DATE 05JAB2			
CHECKED R.L.H.			
DATE 22JAB2			
APPROVED R.T.S.			
DATE 23JAB2			
PROD. ENGR. BONHAM			
DATE 11JAB2			
APPL. ENGR.			
DATE			
MODEL 5000/6000 SERIES			
SIZE/CAGE CODE/DWG NO			
R	73342	AS58-031	
SCALE 1/4			
SHEET 1 OF 2			



DWG AS58-031

AC (1) SEE SHEET 1	29AU00	JTDN
REV	DESCRIPTION	DATE
FR2		
DRAWN D. HUGHES	REVISIONS	
DATE 05JAB2	GENERAL MOTORS CORPORATION	
CHECKED R.L.H.	INDIANAPOLIS, INDIANA	
DATE 22JAB2	CHWIDE RESTRICTED	
APPROVED R.T.S.	BASIC INSTALLATION- DROPBOX MODELS	
DATE 23JAB2	MODEL 5000/6000 SERIES	
PROJ. ENGR. BONHAM	SIZE/CAGE CODE/DWG NO	
DATE 11JAB2	R 73342	AS58-031
APPL. ENGR.	SCALE 1/4"	
DATE	SHEET 2	
THE INFORMATION CONTAINED HEREIN IS PROPRIETARY AND THE PROPERTY OF ALLISON TRANSMISSION, GENERAL MOTORS CORPORATION AND MAY NOT BE REPRODUCED, DISCLOSED OR USED FOR ANY PURPOSE OTHER THAN A QUOTATION TO OR AN ORDER FROM ALLISON TRANSMISSION WITHOUT THE SPECIFIC WRITTEN AUTHORIZATION OF ALLISON TRANSMISSION.		

FR1 DWG. NO. AS58-031 LTR SH AC 2