

FOR CIRCUIT REQUIREMENTS SEE DWG AS58-040

TURBINE SENSOR ASSY-29543432  
1.625-12 UN-2B THD TO REMOTE FILTER TORQUE TO 47-53 LB-FT  
1.625-12 UN-2B THD FROM REMOTE FILTER TORQUE TO 47-53 LB-FT

.625-11 UNC-2B 1.04 MIN FULL THD 4 HOLES (FOR LIFTING)

.625-11 UNC-2B 1.04 MIN FULL THD (FOR LIFTING)

FRONT TRUNNION MOUNT (FOR REMOTE INPUT OPTION) SEE DWG AS00-003

.500-14 DRYSEAL NPTF-1, OIL TEMPERATURE GAGE CONNECTION. SEE DWG AS00-145. TORQUE TO 16-20 LB-FT

FOR FILTER DIFFERENTIAL PRESSURE SWITCH INSTALLATION REQUIREMENTS SEE DWG AS00-161 AND AS00-074

INPUT SENSOR ASSY-29543432 FOR TOP POWER TAKE OFF OPTION SEE DWG AS80-017

.5625-18 UNF-2B, POWER TAKE OFF LUBE SUPPLY TORQUE TO 70-80 LB-IN

SEE VIEW E

FOR TRANSMISSION DRIVE ADAPTATION DATA SEE DWG AS00-021 OR APPROPRIATE AS04 (SERIES) ADAPTATION DWG

HYDRAULIC RETARDER VALVE-A RETURN FORCE SUFFICIENT TO GIVE A POSITIVE RETURN OF LINKAGE AND VALVE TO THE RETARDER OFF POSITION MUST BE PROVIDED IN THE RETARDER ACTUATING MECHANISM. EXTERNAL FORCE AGAINST INTERNAL RETARDER VALVE STOPS IN BOTH ON AND OFF POSITIONS MUST NOT EXCEED 300 POUNDS

OIL TO COOLER

OIL FROM COOLER

SAE STANDARD 2.50 HYDRAULIC FLANGE SEE DWG AS80-008 FOR CIRCUIT REQUIREMENTS

SAE NUMBER 0 FLYWHEEL HOUSING MOUNTING FACE (MODIFIED AS SHOWN)

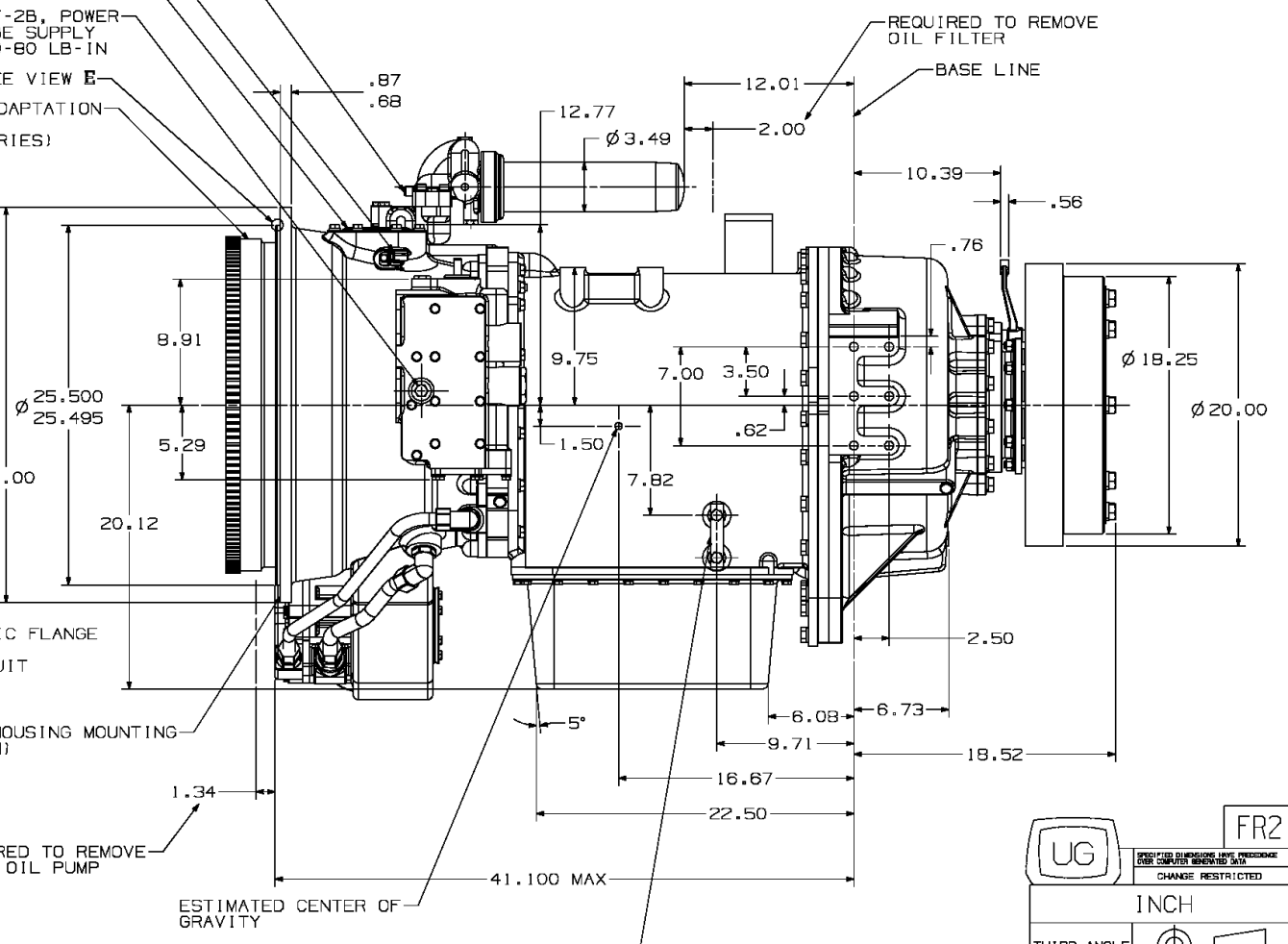
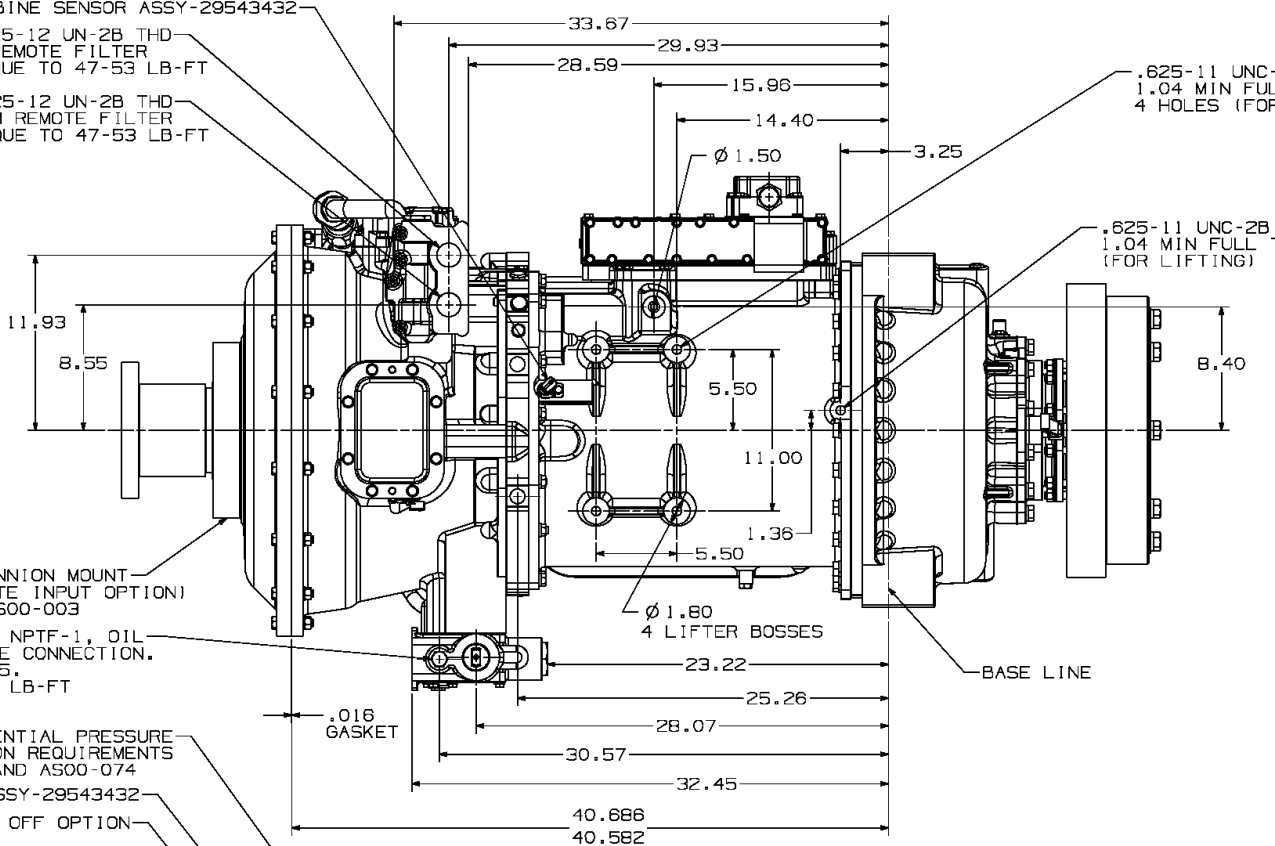
FOR OPTIONAL COOLER MANIFOLD INSTALLATION REQUIREMENTS SEE DRAWING AS90-015

Ø .5312 16 HOLES, EQUALLY SPACED WET TYPE FLYWHEEL HOUSING DRAIN PROVISION

Ø .53 WET TYPE FLYWHEEL HOUSING DRAIN PROVISION

FOR BASIC TRANSMISSION SPECIFICATIONS, SEE SECTION "M" IN OFF-HIGHWAY TECH DATA

ALL TRANSMISSION CONTROL SYSTEM DESIGNS SHOULD BE REVIEWED BY ALLISON TRANSMISSION DIVISION OF GENERAL MOTORS CORPORATION ENGINEERING DEPARTMENT



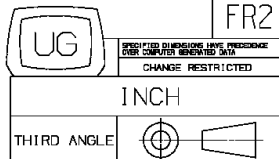
AD (1) SEE SHEET 2	06N007 (K) (W)
AC (1) TURBINE SENSOR ASSY-29543432 WAS TURBINE SENSOR ASSY-29509837	
(2) INPUT SENSOR ASSY-29543432 WAS INPUT SENSOR ASSY-29509837	
(3) SEE SHEET 2	07J008 (K) (W)

AB (1) DELT SENSOR GUARD	
(2) SEE SHEET 2 (30017A)	14AP03 (K) (P)
AA (1) ADDED TURBINE SENSOR ASSY-29509837, REV DEL	
(2) ADDED INPUT SENSOR ASSY-29509837, REV DEL	
(3) .500-14 DRYSEAL NPTF-1, OIL TEMPERATURE GAGE CONNECTION. SEE DWG AS00-145. TORQUE TO 16-20 LB-FT WAS .750-18 UN-2B THD, OIL TEMPERATURE GAGE CONNECTION. SEE DWG AS00-145. TORQUE TO 12-13 LB-FT	
(4) SEE SHEET 2	27JA03 (K) (W)
AY REVISED AND REDRAWN	180000 (J) (N)

REV	DESCRIPTION	DATE	BY
FR2			

DRWING	DATE	CHECKED	DATE	APPROVED	DATE
05/16/87	11/18/87				
07/26/87	11/18/87				
07/26/87					
07/26/87					
07/26/87					
07/26/87					

MODEL	8000 SERIES
SIZE	CAGE CODE DWG NO
R	73342 AS80-015
SCALE	1/4
	SHEET 1 OF 2



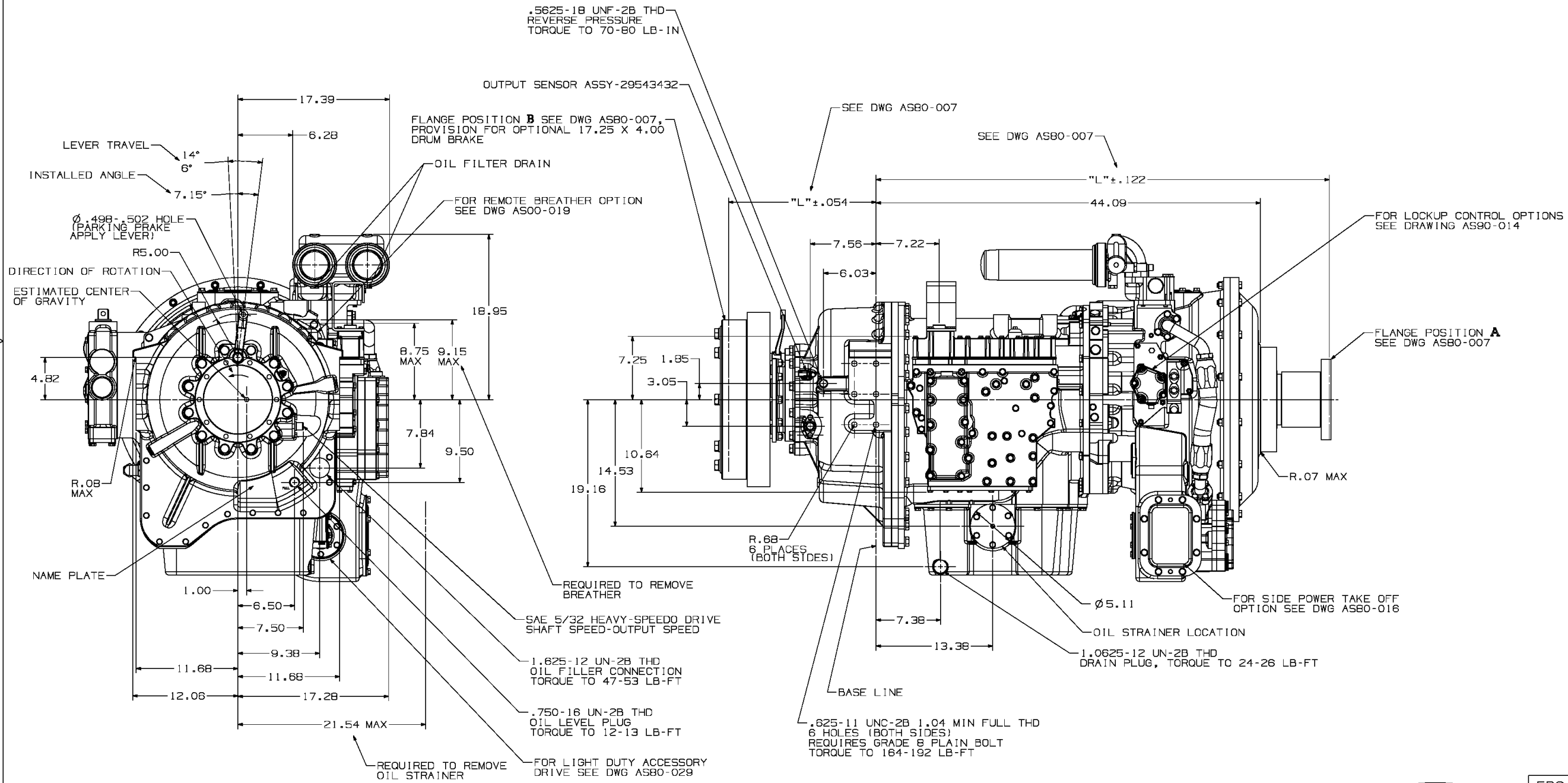
FR1 DWG. NO. AS80-015 LTR SH AD 1

OIL LEVEL SIGHT GAGE (FOR FILL AND CHECK REQUIREMENTS SEE DWG AS80-024)



AS80-015

UNIGRAPHICS



DIRECTION OF ROTATION SHOWN FOR CLOCKWISE  
 INPUT ROTATION AT FLANGE POSITION **A**  
 AND FORWARD GEAR

REV	DESCRIPTION	DATE	BY
AD (1)	OUTPUT SENSOR ASSY-29543432 WAS OUTPUT SENSOR ASSY-29543432 SEE DWG AS80-023	06NOV07	CK/ML
AC (3)	OUTPUT SENSOR ASSY-29543432 WAS OUTPUT SENSOR ASSY-29509837	07DEC08	CK/ML
AB (2)	FROM OUTPUT SENSOR ASSY-29509837 CALLOUT DELETED AND SHIELD, REV DEL	14AP03	CK/ML
AA (4)	OUTPUT SENSOR ASSY-29509837 AND SHIELD WAS MAGNETIC SPEED SENSOR AND SHIELD, REV DEL	27JAN03	CK/ML
Y	REVISED AND REDRAWN	180000	UT/JN

REVISIONS	
DATE	05AP67
CHECKED	DRAN
DATE	11AP67
APPROVED	YBS
DATE	11AP67
PREP.	FINER, J.C.E.
DATE	07AP67
APP.	ENR, CHD
DATE	07AP67

UG  
 INCH  
 THIRD ANGLE  
 MODEL 8000 SERIES  
 SIZE CAGE CODE DWG NO  
 R 73342 AS80-015  
 SCALE 1/4  
 SHEET 2

FR1 DWG. NO. AS80-015 LTR SH AD 2

THE INFORMATION CONTAINED HEREIN IS PROPRIETARY AND THE PROPERTY OF ALLISON TRANSMISSION, INC AND MAY NOT BE REPRODUCED, DISCLOSED OR USED FOR ANY PURPOSE OTHER THAN A QUOTATION TO OR AN ORDER FROM ALLISON TRANSMISSION, INC WITHOUT THE SPECIFIC WRITTEN AUTHORIZATION OF ALLISON TRANSMISSION, INC.