

FOR CIRCUIT REQUIREMENTS SEE DWG AS58-040

TURBINE SENSOR ASSY-29543432
 1.625-12 UN-2B THD TO REMOTE FILTER TORQUE TO 47-53 LB-FT
 1.625-12 UN-2B THD FROM REMOTE FILTER TORQUE TO 47-53 LB-FT

.625-11 UNC-2B 1.04 MIN FULL THD 4 HOLES (FOR LIFTING)

.625-11 UNC-2B 1.04 MIN FULL THD (FOR LIFTING)

FRONT TRUNNION MOUNT (FOR REMOTE INPUT OPTION) SEE DWG AS00-003

.500-14 DRYSEAL NPTF-1, OIL TEMPERATURE GAGE CONNECTION. SEE DWG AS00-145. TORQUE TO 16-20 LB-FT

FOR FILTER DIFFERENTIAL PRESSURE SWITCH INSTALLATION REQUIREMENTS SEE DWG AS00-161 AND AS00-074

INPUT SENSOR ASSY-29543432 FOR TOP POWER TAKE OFF OPTION SEE DWG AS80-017

.5625-18 UNF-2B, POWER TAKE OFF LUBE SUPPLY TORQUE TO 70-80 LB-IN

FOR TRANSMISSION DRIVE ADAPTATION DATA SEE DWG AS00-021 OR APPROPRIATE AS04 (SERIES) ADAPTATION DWG

HYDRAULIC RETARDER VALVE-A RETURN SPRING OF SUFFICIENT FORCE TO GIVE A POSITIVE RETURN OF LINKAGE AND VALVE TO THE RETARDER OFF POSITION MUST BE PROVIDED IN THE RETARDER ACTUATING MECHANISM. EXTERNAL FORCE AGAINST INTERNAL RETARDER VALVE STOPS IN BOTH ON AND OFF POSITIONS MUST NOT EXCEED 300 POUNDS

OIL TO COOLER
 OIL FROM COOLER

SAE STANDARD 2.50 HYDRAULIC FLANGE SEE DWG AS80-008 FOR CIRCUIT REQUIREMENTS

SAE NUMBER 0 FLYWHEEL HOUSING MOUNTING FACE (MODIFIED AS SHOWN)

FOR OPTIONAL COOLER MANIFOLD INSTALLATION REQUIREMENTS SEE DRAWING AS90-015

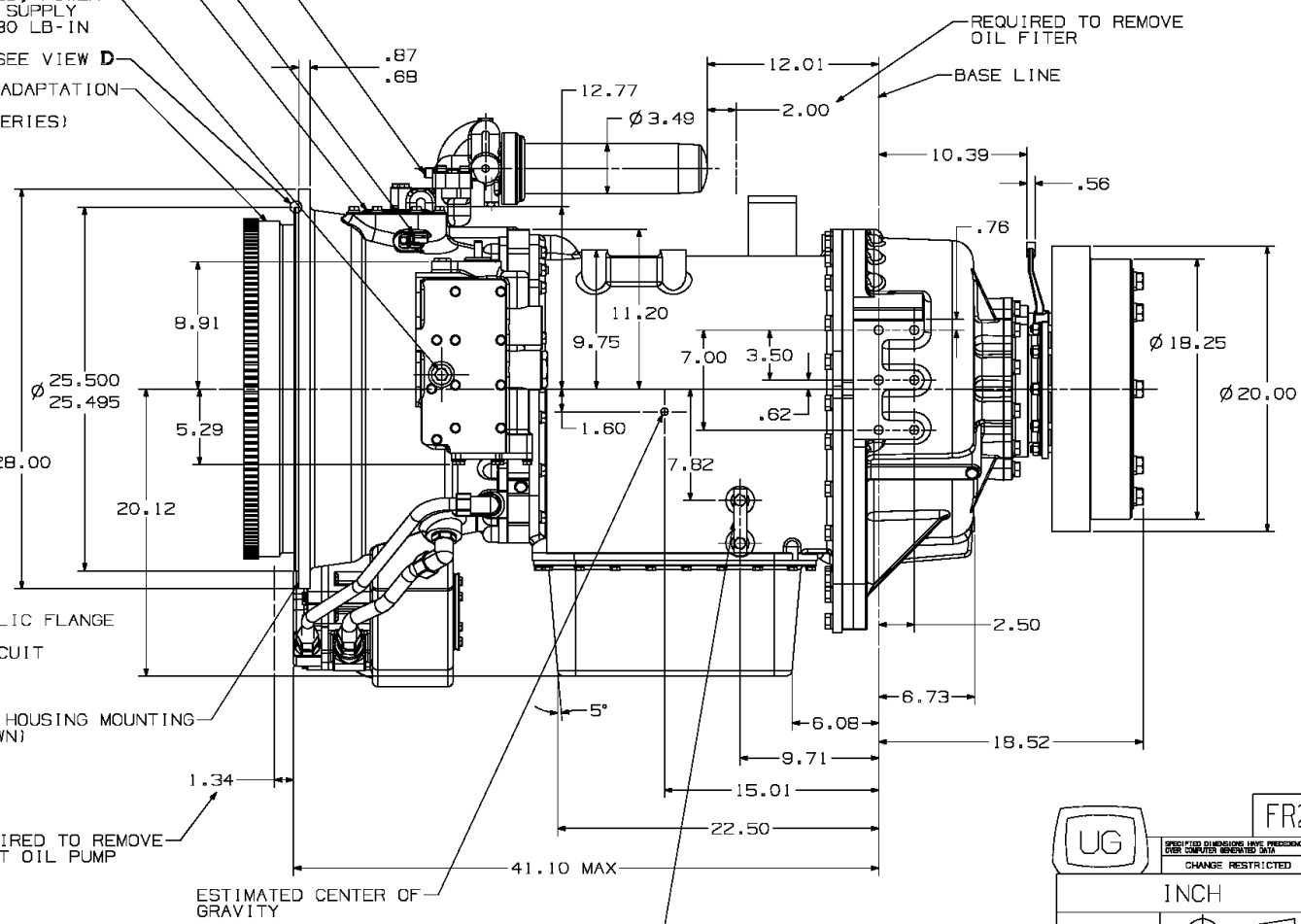
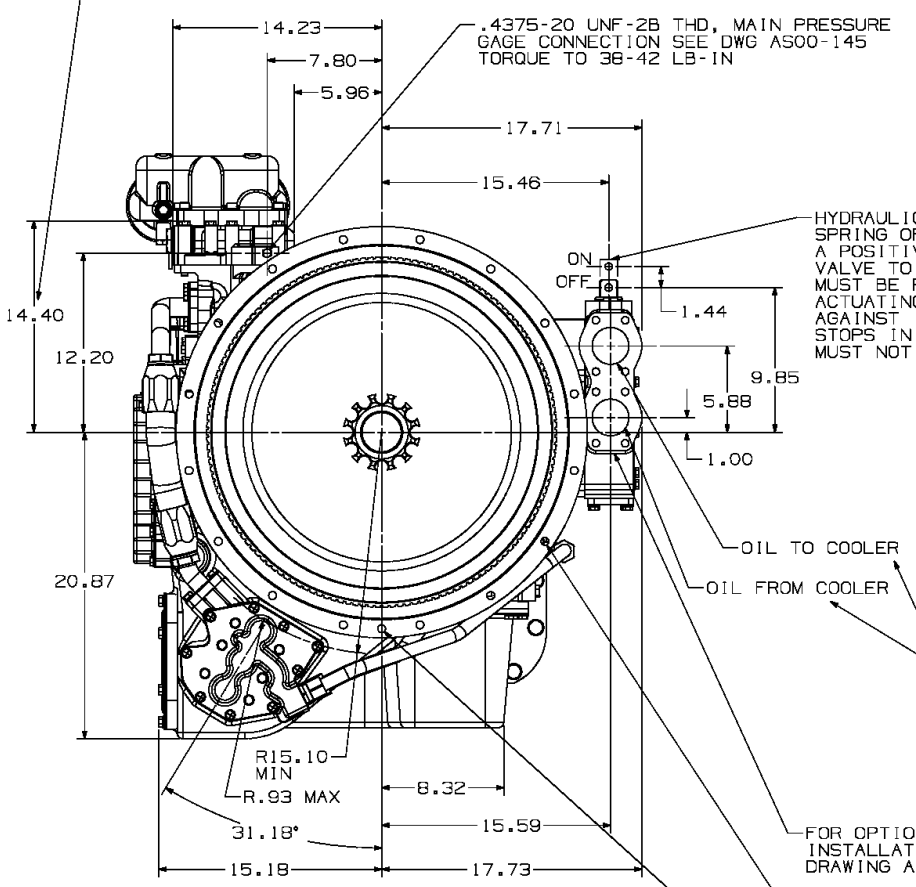
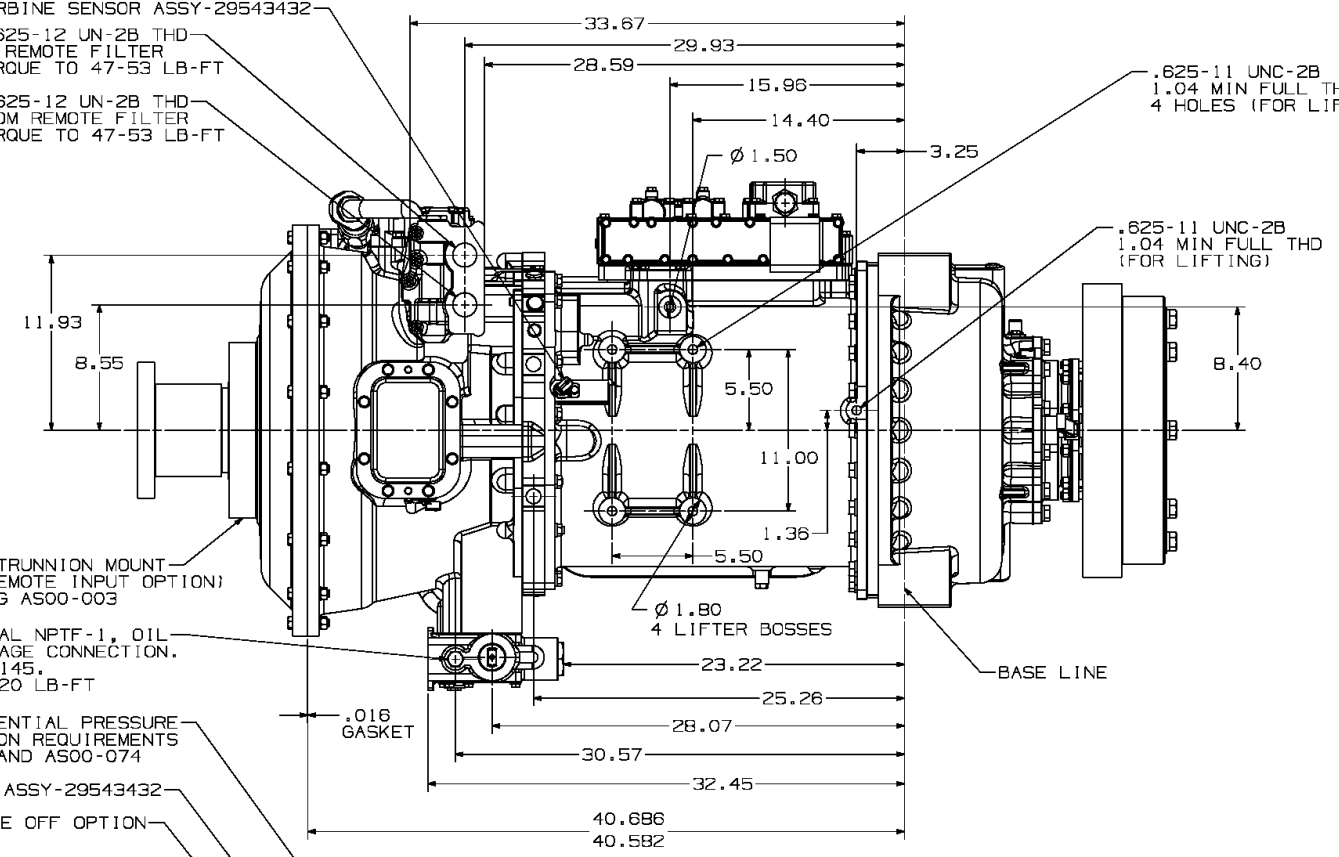
Ø .5312 16 HOLES, EQUALLY SPACED

Ø .53 WET TYPE FLYWHEEL HOUSING DRAIN PROVISION

REQUIRED TO REMOVE INPUT OIL PUMP

ESTIMATED CENTER OF GRAVITY

OIL LEVEL SIGHT GAGE (FOR FILL AND CHECK REQUIREMENTS SEE DWG AS80-024)

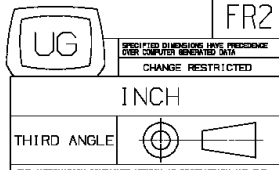


FOR BASIC TRANSMISSION SPECIFICATIONS, SEE SECTION "M" IN OFF-HIGHWAY TECH DATA

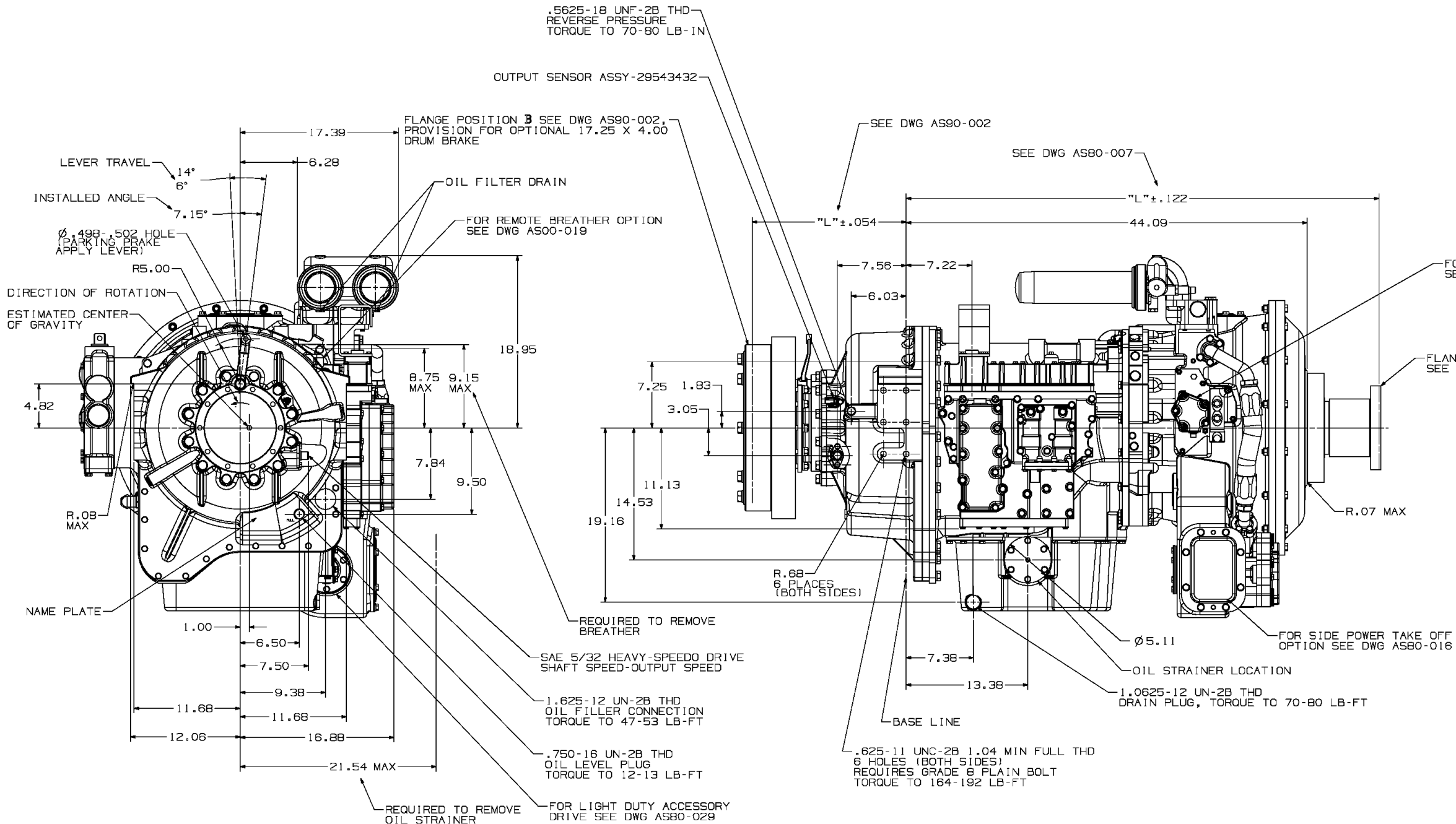
ALL TRANSMISSION CONTROL SYSTEM DESIGNS SHOULD BE REVIEWED BY ALLISON TRANSMISSION DIVISION OF GENERAL MOTORS CORPORATION ENGINEERING DEPARTMENT

P	(1) SEE SHEET 2	08NO07	DK/ML
N	(1) TURBINE SENSOR ASSY-29543432 WAS TURBINE SENSOR ASSY-29509837 (2) INPUT SENSOR ASSY-29543432 WAS INPUT SENSOR ASSY-29509837 (3) SEE SHEET 2	08DEC08	CK/ML
M	(1) DELETED SENSOR SHIELD (2) SEE SHEET 2 (38017A)	14AP03	CK/BP
L	(1) ADDED TURBINE SENSOR ASSY-29509837, REV DEL (2) ADDED INPUT SENSOR ASSY-29509837, REV DEL (3) .500-14 DRYSEAL NPTF-1, OIL TEMPERATURE GAGE CONNECTION. SEE DWG AS00-145. TORQUE TO 16-20 LB-FT WAS .750-18 UN-2B THD, OIL TEMPERATURE GAGE CONNECTION. SEE DWG AS00-145. TORQUE TO 12-13 LB-FT (4) SEE SHEET 2	27JA03	CK/MF
K	REVISED AND REDRAWN	230C00	UT/JN
REV	DESCRIPTION	DATE	DRWGR
	FR2		
	UNIVERSITY MICROFILMS		
	INDIANAPOLIS, INDIANA, USA		
	BASIC INSTALLATION		
	MODEL 9000 SERIES		
	SIZE: CAGE CODE DWG NO		
	R 73342 AS90-003		
	SCALE 1/4		
	SHEET 1 OF 2		
	UNIGRAPHICS		

FR1 DWG. NO. AS90-003 LTR SH P 1



AS90-003



DIRECTION OF ROTATION SHOWN FOR CLOCKWISE
 INPUT ROTATION AT FLANGE POSITION A
 AND FORWARD GEAR

REV	DESCRIPTION	DATE	BY
P	(1) OUTPUT SENSOR ASSY-29543432 WAS OUTPUT		
N	(3) OUTPUT SENSOR ASSY-29543432 WAS OUTPUT		
M	(2) FROM OUTPUT SENSOR ASSY-29509637 CALLOUT DELETED AND SHIELD, REV DEL		
L	(4) OUTPUT SENSOR ASSY-29509637 AND SHIELD WAS MAGNETIC SPEED SENSOR AND SHIELD, REV DEL		
K	REVISED AND REDRAWN		

DATE	BY	DESCRIPTION
21AP81	FR2	FR2

UG	FR2
INCH	
THIRD ANGLE	

FR1	DWG. NO.	AS90-003	LTR	SH	P	2
-----	----------	----------	-----	----	---	---

MODEL	9000 SERIES
SIZE	CAGE CODE DWG NO
R	73342 AS90-003
SCALE	1/4
SHEET	2

AS90-003
 UNIGRAPHICS